

# JBOX

## Alluminium Junction Boxes



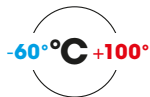
CODE	OUTER DIMENSIONS, mm		
	B	H	P
<b>JB40SV</b>	200	230	110

### Characteristics

- High mechanical resistance and anti-vibration properties
- High-thickness walls – threadable
- Anti-ageing materials resistant to water, oils, grease and fuels
- DIN rails or metal plates for mounting terminal blocks, switches, fuse holders, control devices, transformers, electronic circuits, connectors, etc. can be mounted inside the boxes
- Earthing configuration on box and cover with studs and screws

IP66

IK10

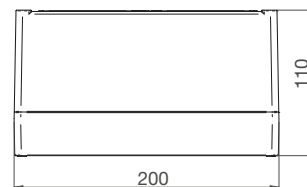
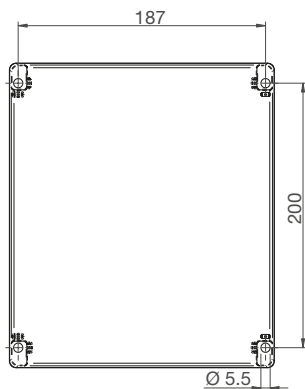
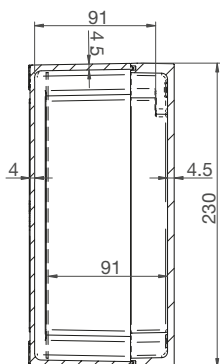
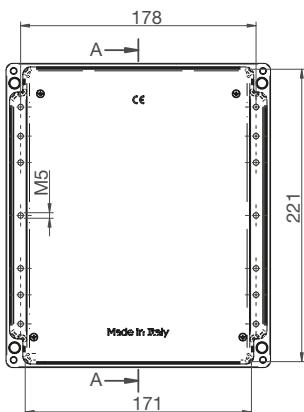


### Materials

- Metal body and cover:  
**Die-cast aluminium alloy EN AB 44300 (Al Si 12)**
- Coating: **Polyester powder coating with RAL 7040 finish**  
**Special colours on request**
- **Silicone** gasket
- **Stainless steel** screws

### Approvals

- Impact resistance in conformity to EN 62262
- Protection rating in accordance with EN 60529



# JBOX

## Alluminium Junction Boxes



CODE	OUTER DIMENSIONS, mm			MINIMUM THICKNESS, mm	SCREWS	
	B	H	P		TYPE	QUANTITY
<b>JB40SV</b>	200	230	110	4,5	M5x37	4

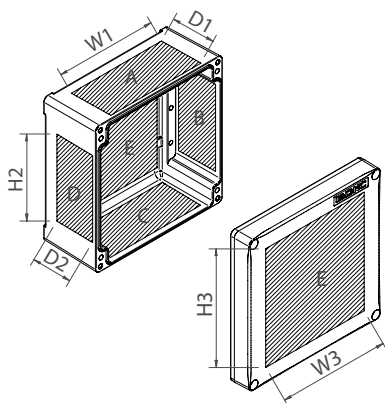
### Maximum number of openings

The holes can be made on all four sides and threaded as required. They can be through-holes or with tapered or cylindrical thread (6H tolerance field or as per ISO 965-1).

The maximum number of holes is specified in the following table:

CODE	MAXIMUM NUMBER OF OPENINGS UPPER - LOWER SIDES / LEFT - RIGHT SIDES							
	M16	M20	M25	M32	M40	M50	M63	M75
<b>JB40SV</b>	8 / 10	7 / 7	3 / 3	2 / 3	2 / 2	2 / 0*	-	-

\*Cable entries possible only with threaded-hole, without nut



### Punching area

Depending on the requirements, it is possible to make round or square holes on the cover suitable for containing electrical devices such as switches, indicators, and analogue and digital components designed for creating control, command and signalling units

CODE	PERFORATION AREA		
	SIDES A and C W1 - D1	SIDES B and D H2 - D2	REAR and COVER E H3 - W3
<b>JB40SV</b>	152x60	165x57	200x160

### Accessories



CODE	DESCRIPTION
<b>JB40-PF</b>	Mounting plate for electronic/electromechanical components
<b>JBKFP</b>	Brackets kit

