

JBOX

Alluminium Junction Boxes



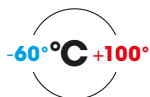
CODE	OUTER DIMENSIONS, mm		
	B	H	P
JB20SV	220	120	90

Characteristics

- High mechanical resistance and anti-vibration properties
- High-thickness walls – threadable
- Anti-ageing materials resistant to water, oils, grease and fuels
- DIN rails or metal plates for mounting terminal blocks, switches, fuse holders, control devices, transformers, electronic circuits, connectors, etc. can be mounted inside the boxes
- Earthing configuration on box and cover with studs and screws

IP66

IK10

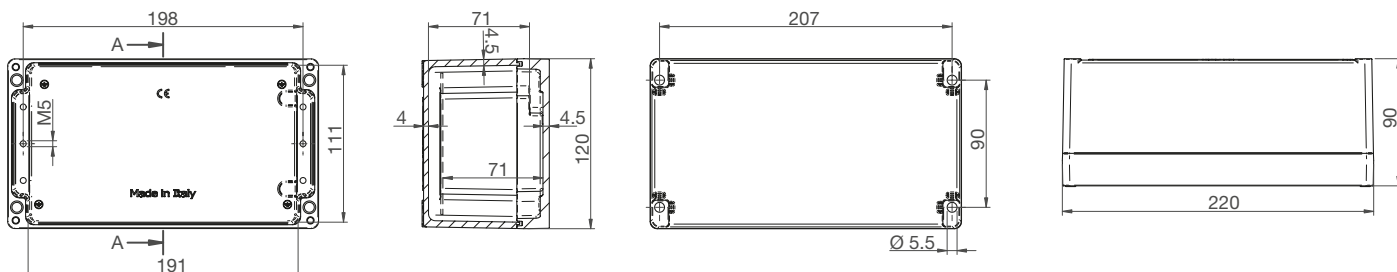


Materials

- Metal body and cover:
Die-cast aluminium alloy EN AB 44300 (Al Si 12)
- Coating: **Polyester powder coating with RAL 7040 finish**
Special colours on request
- **Silicone gasket**
- **Stainless steel screws**

Approvals

- Impact resistance in conformity to EN 62262
- Protection rating in accordance with EN 60529



JBOX

Alluminium Junction Boxes

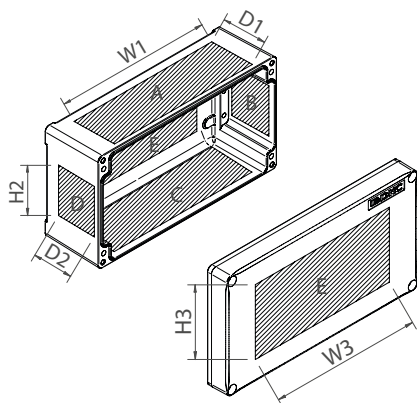


CODE	OUTER DIMENSIONS, mm			MINIMUM THICKNESS, mm	SCREWS	
	B	H	P		TYPE	QUANTITY
JB20SV	220	120	90	4,5	M5x27	4

Maximum number of openings

The holes can be made on all four sides and threaded as required. They can be through-holes or with tapered or cylindrical thread (6H tolerance field or as per ISO 965-1). The maximum number of holes is specified in the following table:

CODE	MAXIMUM NUMBER OF OPENINGS UPPER - LOWER SIDES / LEFT - RIGHT SIDES							
	M16	M20	M25	M32	M40	M50	M63	M75
JB20SV	9 / 2	4 / 1	4 / 1	3 / 1	-	-	-	-



Punching area

Depending on the requirements, it is possible to make round or square holes on the cover suitable for containing electrical devices such as switches, indicators, and analogue and digital components designed for creating control, command and signalling units

CODE	PERFORATION AREA		
	SIDES A and C W1 - D1	SIDES B and D H2 - D2	REAR and COVER E H3 - W3
JB20SV	174x50	55x46	90x178

Accessories



CODE	DESCRIPTION
JB20-PF	Mounting plate for electronic/electromechanical components
JBKFP	Brackets kit

