

# ■ Pressacavo singola tenuta 6018ANF

## Single seal cable gland 6018ANF

### Cavo non armato filetto femmina

### Unarmoured cable with female thread nut



Pressacavo singola tenuta, cavo non armato con dado filetto femmina (consente la connessione con qualsiasi altro tipo di raccordo).

Single seal cable gland, unarmoured cable with female thread nut (makes it possible to connect with any other type of connector).

#### Materiale

- Ottone
- Ottone nichelato
- Acciaio inox AISI 316L

#### Material

- Brass
- Nickel-plated brass
- AISI 316L stainless steel

#### Guarnizioni

- EPDM (-40/+80°C)
- Silicone (-65/+130°C)

Guarnizione O-Ring di serie

#### Seals

- EPDM (-40/+80°C)
- Silicone (-65/+130°C)

Standard O-Ring seal

#### Dotazioni

- Singolo gommino
- Kit Gommini (comprende il pressacavo e una dotazione di gommini per molteplici tipologie di serraggio)

#### Components

- Single rubber seal
- Rubber seal kit (includes cable gland and a supply of rubber seals for multiple types of fastening)

#### Filettature

- Metrico CEI EN 60423 (IEC 60423)

#### Threading

- CEI EN 60423 (IEC 60423) Metric

#### Zone



#### A richiesta

- GAS cilindrico UNI ISO 228
- PG DIN 40430
- GAS conico ISO 7/1
- NPT ANSI B1 20.1

#### On request

- UNI ISO 228 GAS cylindrical
- PG DIN 40430
- ISO 7/1 GAS tapered
- NPT ANSI B1 20.1

#### Modi di protezione

#### Protection modes



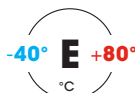
- II 2G Ex db IIC Gb
- II 2G Ex eb IIC Gb
- II 2D Ex tb IIIC Db IP66/68
- II 3G Ex nR IIC Gc

- Standard IECEx  
IEC 60079-0; IEC 60079-1;  
IEC 60079-7; IEC 60079-11;  
IEC 60079-15; IEC 60079-31
- Standard ATEX  
EN 60079-0; EN 60079-1;  
EN 60079-7; EN 60079-11;  
EN 60079-15; EN 60079-31
- Certificato EAC  
TC RU C-IT.AA87.B.00992
- Certificato IECEx  
IECEX IMQ 17.0013;
- Certificato ATEX  
IMQ 17 ATEX 020;  
IMQ 17 ATEX 023 (Ex nR);
- Grado di protezione secondo  
CEI EN 60529 IEC 60529  
IP66/IP68 (3gg a 50mt)

- Standard IECEx  
IEC 60079-0; IEC 60079-1;  
IEC 60079-7; IEC 60079-11;  
IEC 60079-15; IEC 60079-31
- Standard ATEX  
EN 60079-0; EN 60079-1;  
EN 60079-7; EN 60079-11;  
EN 60079-15; EN 60079-31
- Certificate EAC  
TC RU C-IT.AA87.B.00992
- Certificate IECEx  
IECEX IMQ 17.0013;
- Certificate ATEX  
IMQ 17 ATEX 020;  
IMQ 17 ATEX 023 (Ex nR);
- Protection degree  
CEI EN 60529 IEC 60529  
IP66/IP68 (3days at 50mt)



Silicone



EPDM

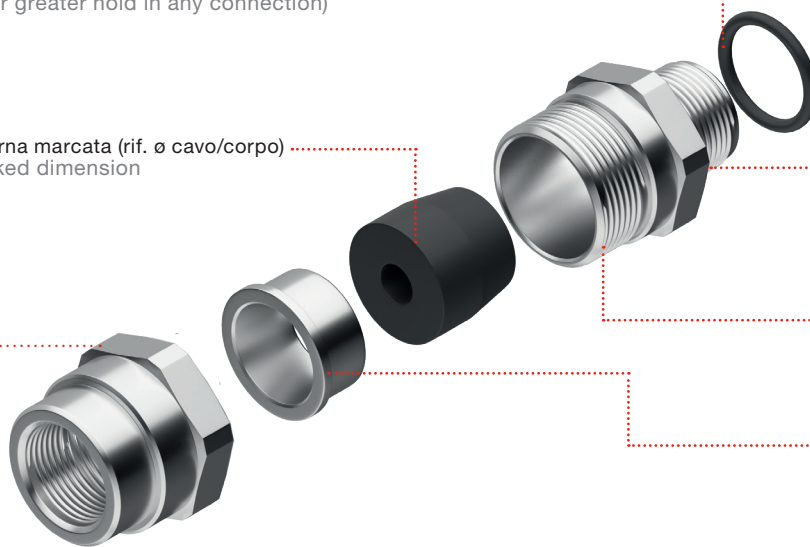
## ■ Pressacavo singola tenuta 6018ANF Single seal cable gland 6018ANF

**Cavo non armato filetto femmina**  
Unarmoured cable with female thread nut

Guarnizione O-Ring maggiorata  
(per una maggiore tenuta in qualsiasi connessione)  
Larger O-Ring seal (for greater hold in any connection)

Guarnizione tenuta interna marcata (rif.  $\varnothing$  cavo/corpo)  
Internal seal with marked dimension  
(ref.  $\varnothing$  cable/body)

Dado di serraggio  
Lock nut



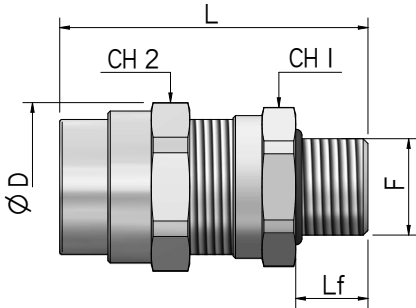
Sede O-Ring  
(garanzia di tenuta alla  
sovrapressione)  
O-Ring seat  
(guarantee of hold at  
overpressure)

Corpo  
Body

Premigommino  
Compression ring

## ■ Pressacavo singola tenuta 6018ANF Single seal cable gland 6018ANF

**Cavo non armato filetto femmina**  
Unarmoured cable with female thread nut



CODICE KIT CODE KIT	SERRAGGIO CAVO CABLE TIGHTENING ømin- ømax	FILETTO THREAD F	LUNGHEZZA FILETTO THREAD LENGTH Lf mm	DIMENSIONE CHIAVE mm WRENCH SIZE		DIAMETRO ESTERNO EXTERNAL DIAMETER øD mm	LUNGHEZZA TOT. TOTAL LENGTH L tot
				CH1	CH2		
6018ANFAKGM1EB	5 - 10	M16x1.5	15,0	24,0	26,0	28,0	65,0
6018ANFBKGM2EB	5.5 - 13	M20x1.5	15,0	30,0	32,0	35,0	64,0
6018ANFCKGM3EB	10.5 - 18	M25x1.5	15,0	35,0	36,0	39,0	64,0
6018ANFDKGM4EB	15 - 24	M32x1.5	15,0	42,0	45,0	49,0	74,0
6018ANFEKGM5EB	21 - 30	M40x1.5	15,0	48,0	50,0	55,0	79,0
6018ANFFKGM6EB	24 - 36	M50x1.5	15,0	55,0	58,0	63,0	82,0
6018ANFGKGM7EB	36 - 45	M63x1.5	15,0	68,0	68,0	74,0	82,0
6018ANFHKGM8EB	45 - 54	M75x1.5	15,0	80,0	80,0	88,0	82,0
6018ANFIKGM9EB	54 - 62	M90x2	20,0	100,0	102,0	109,0	99,0
6018ANFLKGM9EB	62 - 68	M90x2	20,0	100,0	102,0	109,0	99,0

# ■ Pressacavo singola tenuta 6018ANF

## Single seal cable gland 6018ANF

### Guida alla composizione del codice

#### Code composition guide

Per la composizione del codice Kit Pressacavo **6018ANF** occorre conoscere il **DIAMETRO SERRAGGIO CAVO** quindi scegliere la taglia **SIZE** corrispondente. Individuare la **TIPOLOGIA FILETTATURA** (un solo valore in base all'impiego del pressacavo). Infine scegliere il **POLIMERO GUARNIZIONI** e il **MATERIALE**.

For the composition of **6018ANF** Cable gland Kit code you need to know the **CABLE TIGHTENING** and then select the corresponding **SIZE**. Identify the **THREAD TYPE** (one value only based on cable gland use). Then select the **GASKET POLYMER** and the **MATERIAL**.

#### POLIMERO GUARNIZIONI GASKET POLYMER TYPE

<b>E</b>	EPDM
<b>S</b>	Silicone

#### MATERIALE MATERIAL TYPE

<b>B</b>	Ottone nichelato Nickel plated brass
<b>X</b>	AISI 316L Acciaio Inox AISI 316L stainless steel
no letter	Ottone Brass

VERSIONE VERSION	SIZE SIZE	KIT	TIPO FILETTO THREAD TYPE	POLIMERO POLYMER	MATERIALE MATERIAL
<b>6018ANF</b>	.....	<b>KG</b>	.....	.....	.....

**INDICARE SOLO UNA TIPOLOGIA DI FILETTATURA**  
INDICATE ONLY ONE TYPE OF THREADING

SIZE	SERRAGGIO CAVO CABLE TIGHTENING Ø min-max	ISO 262		NPT		ISO 7/1		PG		ISO228	
		M1	M2	N1	N2	I1	I2	P1	P2	G1	G2
<b>A</b>	5-10	<b>M1</b>	M16x1.5	<b>N1</b>	3/8"	<b>I1</b>	3/8"	<b>P1</b>	9	<b>G1</b>	3/8"
<b>B</b>	5.5-13	<b>M2</b>	M20x1.5	<b>N2</b>	1/2"	<b>I2</b>	1/2"	<b>P2</b>	11	<b>G2</b>	1/2"
<b>C</b>	10.5-18	<b>M3</b>	M25x1.5	<b>N3</b>	3/4"	<b>I3</b>	3/4"	<b>P3</b>	13,5	<b>G3</b>	3/4"
<b>D</b>	15-24	<b>M4</b>	M32x1.5	<b>N4</b>	1"	<b>I4</b>	1"	<b>P4</b>	16	<b>G4</b>	1"
<b>E</b>	21-30	<b>M5</b>	M40x1.5	<b>N5</b>	1"1/4	<b>I5</b>	1"1/4	<b>P5</b>	21	<b>G5</b>	1"1/4
<b>F</b>	24-36	<b>M6</b>	M50x1.5	<b>N6</b>	1"1/2	<b>I6</b>	1"1/2	<b>P6</b>	29	<b>G6</b>	1"1/2
<b>G</b>	36-45	<b>M7</b>	M63x1.5	<b>N7</b>	2"	<b>I7</b>	2"	<b>P7</b>	36	<b>G7</b>	2"
<b>H</b>	45-54	<b>M8</b>	M75x1.5	<b>N8</b>	2"1/2	<b>I8</b>	2"1/2	<b>P8</b>	42	<b>G8</b>	2"1/2
<b>I</b>	54-62	<b>M9</b>	M90x2	<b>N9</b>	3"	<b>I9</b>	3"	<b>P9</b>	48	<b>G9</b>	3"
<b>L</b>	62-68	<b>M9</b>	M90x2	<b>N9</b>	3"	<b>I9</b>	3"	<b>P9</b>	48	<b>G9</b>	3"

#### Esempio Example

### 6018ANFAKGN1EB

Pressacavo versione 6018ANF, dimensione A, formato Kit, filettatura NPT 3/8", polimero EPDM e Ottone nichelato.  
6018ANF cable gland version, dimension size A, Kit format, NPT 3/8" thread, EPDM e nickel-plated brass.